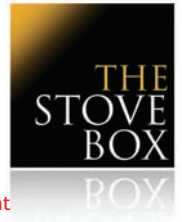
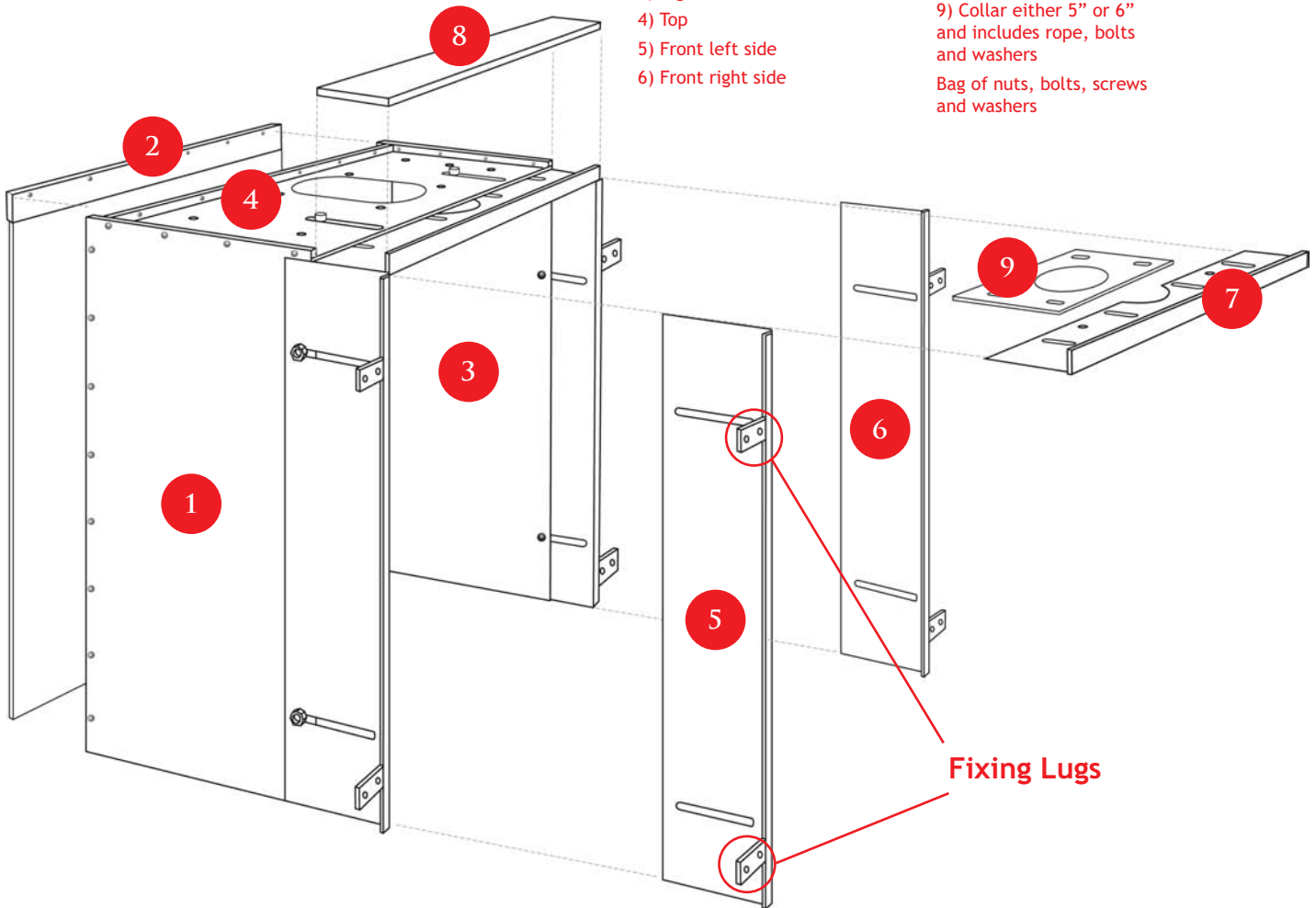


Adjustable assembly instructions



Package consists of:

- 1) Left side
 - 2) Back
 - 3) Right side
 - 4) Top
 - 5) Front left side
 - 6) Front right side
 - 7) Front top side
 - 8) Heat resistant cement board infill
 - 9) Collar either 5" or 6" and includes rope, bolts and washers
- Bag of nuts, bolts, screws and washers



Assemble the Box

To assemble your Stove Box, start with the **left side (1)** and screw to the **back (2)** using the self tapping screws provided making sure the holes are at the top when fixing. This is important at a later stage. Continue with the **right side (3)** and when fixed, lay the back and sides on it's back and fix the **top (4)** to make a ridged box. Stand the box upright and fix all sliding parts **(5),(6),(7)** to the front using the countersunk nuts, bolts and washers, making sure you do not over tighten at this stage.

The Stove Box needs to be placed on the hearth in the fireplace opening to determine the depth required, making sure you allow a minimum clearance of 25mm all around the box for the insulation. If a flush fit is required the fixing lugs (**marked on illustration**) will need to be buried in the plaster, but if a fire surround is to be used with our fascia plate, this can be fixed to suit the rebate.

With the depth decided, tighten all nuts and silicon all joints and leave to dry. Place the heat **resistant cement board (8)** on the top as shown on the illustration to protect any elements above the box. Silicon this into place.

The **collar (9)** then fixes to the **top (4)** although **DO NOT FIX THE COLLAR AT THIS STAGE.**

Installing the Box

The main feature of the Stove Box is that it needs to be insulated to improve the direct heat from the Stove into the room. Because of this feature an allowance has to be chopped into any existing chimney breast. The minimum allowance for the sides and back is 25mm. A minimum allowance of 6"-12" is needed for the top so you can work on connections to liners, adapters etc. See our video online at www.thestovebox.co.uk for more information.

